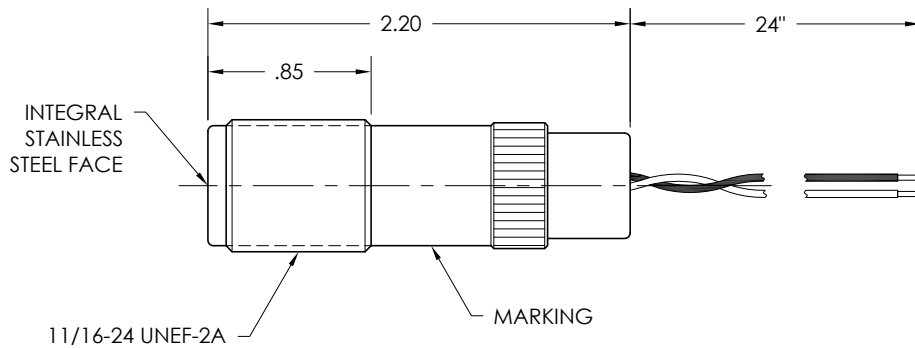


Gauss	Product Code	SPECTEC P/N
900	M-MS/L24" K11/16-24 x 0.9/2.2" 5HT 2K FPS	0027-05C
350	M-MS/L24" K11/16-24 x 0.9/2.2" 5HT 2K FPS	0027-05C-350G
150	M-MS/L24" K11/16-24 x 0.9/2.2" 5HT 2K FPS	0027-05C-150G



**SPECIFICATIONS:**

CONSTRUCTION: 303 STAINLESS STEEL, BLINDSHELL DESIGN  
 CRYOGENIC CONSTRUCTION WITH THERMAL SHOCK RESISTANT  
 SOLID EPOXY ENCAPSULATION  
 HERMETICALLY SEALED

COIL RESISTANCE: 2000 OHMS NOMINAL

SIGNAL OUTPUT: SINEWAVE: MIN: 10mVPP MAX: 10VPP

LEAD WIRES: 20 AWG, PTFE INSULATED, BLACK & WHITE

TEMP. RANGE: -450 to 450° F (-270 to 232° C)

HIGH SHOCK AND VIBRATION RESISTANCE  
 (IMPACT: 25Gs MIN., VIBRATION: 2Gs AT 2000 Hz MIN.)

CE COMPLIANCE: EN 50011, EN 50022-2



FOR MORE INFORMATION PLEASE CONTACT CUSTOMER SERVICE

FINAL INSPECTION REPORT:	SALES ORDER:	DATE:
--------------------------	--------------	-------

- COIL RESISTANCE: 1600 Ω MIN.  
2100 Ω MAX.
- INSULATION RESISTANCE: 30 MΩ MIN.
- MAGNETIZATION:
  - 900 GAUSS
  - 350 GAUSS
  - 150 GAUSS

- MARKING: Flowmetrics Logo  
P/N & DATE CODE  
CE MARK



- DIMENSIONAL/APPEARANCE

USA - CALIFORNIA  
 9201 Independence Avenue  
 Chatsworth, CA 91311  
 E-mail: info@flowmetrics.com  
 Toll Free: (800) 356-6387  
 Direct: (818) 407-3420  
 Fax: (818) 700-1961

**Flowmetrics, Inc.**

*"Where quality is Measurable"*

TITLE: **MAG PICKUP, SEALED  
LEAD WIRE TYPE  
11/16-24 5HT**

AGENCY APPROVAL DATE: \_\_\_\_\_

REV. **1** DATE **10-11-2019**

BY JE	APVD. JE
CUSTOMER APPROVAL	
SCALE	<b>1:1</b>
NUMBER	<b>0027-05C</b>