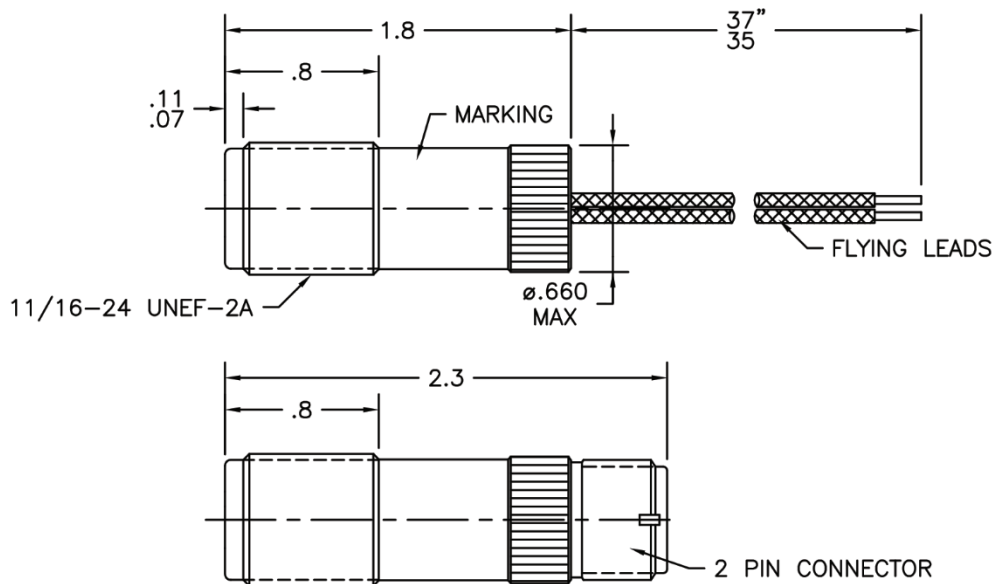


RF Pick up Coil

High Temp, Lead wire Type, 11/16-24

High Temp, Connector Type, 11/16-24

TERMINATION	PRODUCT CODE	P/N
FLYING LEADS	RF4-L36" K11/16-24x0.8/1.8" 8HT	0067-11(Discontinued. Refer to 0060-38722)
2 PIN CONNECTOR	M-MO K1/2-20x0.9/3.3"3T	0068-11(Discontinued. Refer to 0059-38122)



CONSTRUCTION:
 HOUSING: 303 SS
 ENCAPSULATION: SOLID CERAMIC
 LEAD WIRES: MICA-GLASS INSULATED, 22 AWG
 CONNECTOR: 2 PIN GLASS SEALED MS3102-10SL-4P

TEMPERATURE RANGE: 8HT: -450° to 750° F (-270° to 400° C)

CE COMPLIANCE: EN 55011, EN 50082-2

NOTE: 1. MUST BE USED IN CONJUNCTION WITH A 4013 HS TYPE RF PREAMP
 2. 8HT PICKUP HAS ~20% REDUCED SENSITIVITY COMPARED TO STANDARD 450°F PICKUPS.

