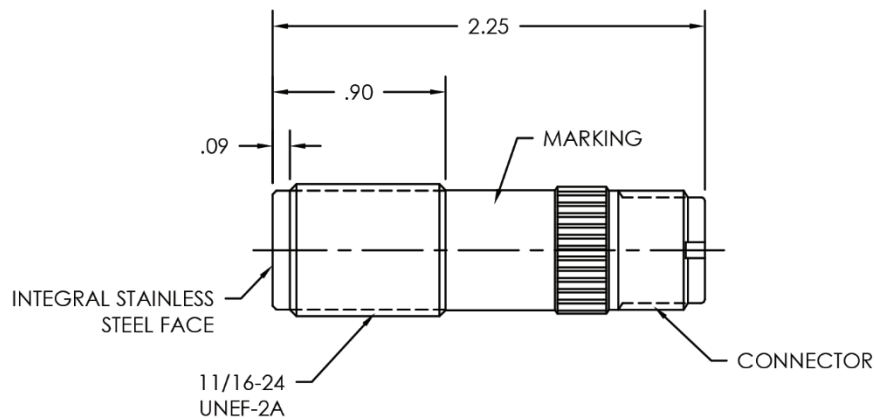


Magnetic Pick up Coil

Intrinsically Safe, Connector Type, 11/16-24

GAUSS	PRODUCT CODE	P/N
130-170	M-IS-MO K11/16-24x0.9/2.3" (2K FPS)	IS40-K307A1-150G
340-370	M-IS-MO K11/16-24x0.9/2.3" (2K FPS)	IS40-K307A1-350G



SPECIFICATIONS:

RESISTANCE: 1600 - 2100 Ω
MAGNETIZATION: PER TABLE ABOVE

CONNECTOR: MS3102A10SL-4P
 2 GOLD PLATED PINS

TEMPERATURE CLASS & RANGE: T5 -40 TO 85°C
 T6 -40 TO 65°C

CONSTRUCTION: 300 SERIES STAINLESS STEEL
 SOLID EPOXY ENCAPSULATION

CERTIFICATIONS:

PLEASE REFER TO INSTALLATION INSTRUCTION DOCUMENT # 85045 AND MARKING ON PRODUCT FOR APPROPRIATE CERTIFICATION INFORMATION.

INSTALLATION

CAUTION: THIS SENSOR MUST BE INSTALLED WITH AN APPROVED BARRIER AND FOLLOW THE DETAILS SPECIFIED IN THE INSTALLATION INSTRUCTION DOCUMENT # 85045. REFER TO BULLETIN 4003 FOR RECOMMENDED BARRIERS.