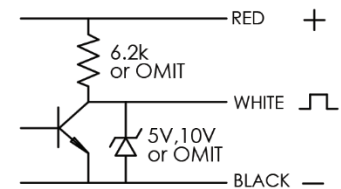
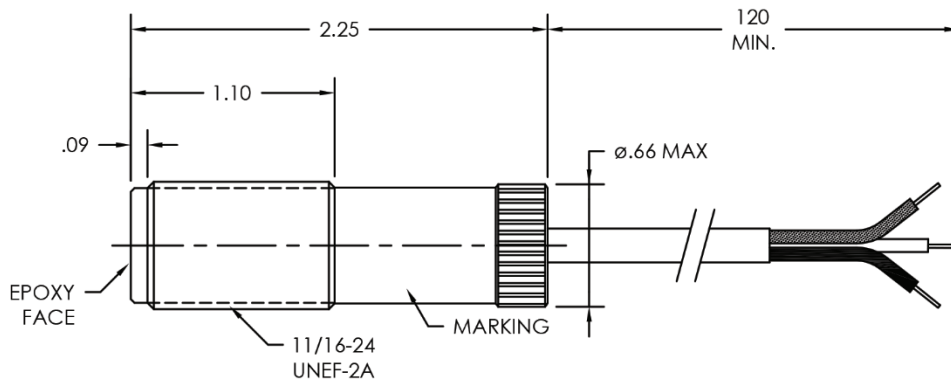


Digispec RF

Intrinsically Safe, Lead Wire Type, 11/16-24

OUTPUT TYPE	PRODUCT CODE	P/N
0-5V, NPN	RF-IS-5Vo-LS120" K11/16-24x1.1/2.3"	IS101-K3131
0-10V, NPN	RF-IS-10Vo-LS120" K11/16-24x1.1/2.3"	IS101-K3132
0-Vs, NPN OC	RF-IS-Vs OC-LS120" K11/16-24x1.1/2.3"	IS101-K3134



OUTPUT CONFIGURATION

SPECIFICATIONS

Supply Voltage & Current:	8-30Vdc @ $\leq 15\text{mA}$
Output Voltage:	See table above (20 mA max. current sink) Reverse polarity protected
Frequency Range:	$\geq 0.5\text{ Hz}$ to $\leq 5\text{ kHz}$
Air Gap:	$\leq .20"$ Depending on target mass
Cable:	22 AWG, PVC Insulated 3 conductor shielded cable
Temperature Class & Range:	T5 -40 to 85°C T6 -40 to 65°C
Construction:	300 Series Stainless Steel Solid Epoxy Encapsulation

CERTIFICATIONS

Please refer to Installation Instruction Document # 85047 and marking on product for appropriate certification information.

INSTALLATION

CAUTION: This sensor MUST be installed with an approved barrier and follow the details specified in the Installation Instruction Document # 85045. Refer to Bulletin 4003 for recommended barriers.