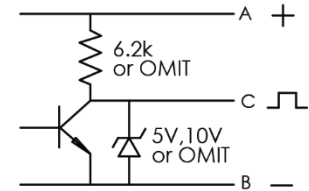
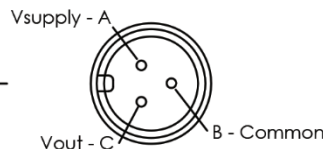
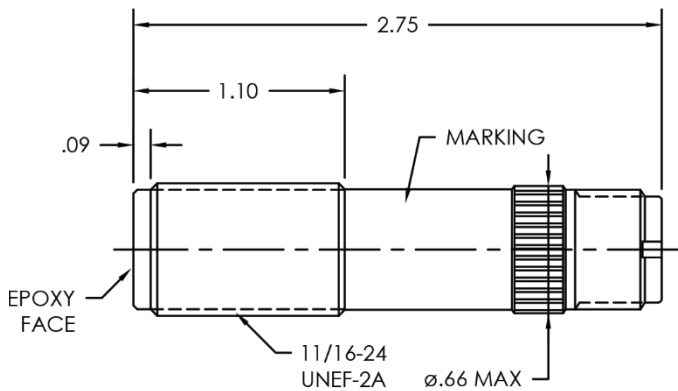


Digispec RF

Intrinsically Safe, Connector Type, 11/16-24

OUTPUT TYPE	PRODUCT CODE	P/N
0-5V, NPN	RF-IS-5Vo-MO3 K11/16-24x1.1/2.8"	IS100-K3111
0-10V, NPN	RF-IS-10Vo-MO3 K11/16-24x1.1/2.8"	IS100-K3112
0-Vs, NPN OC	RF-IS-Vs OC-MO3 K11/16-24x1.1/2.8"	IS100-K3114



OUTPUT CONFIGURATION

SPECIFICATIONS

Supply Voltage & Current:	8-30Vdc @ ≤ 15mA
Output Voltage:	See table above (20 mA max. current sink) Reverse polarity protected
Frequency Range:	≥ 0.5 Hz to ≤ 5 kHz
Air Gap:	≤ .20" Depending on target mass
Connector:	MS3102A10SL-3P 3 Gold Plated Pins
Temperature Class & Range:	T5 -40 to 85°C T6 -40 to 65°C
Construction:	300 Series Stainless Steel Solid Epoxy Encapsulation

CERTIFICATIONS

Please refer to Installation Instruction Document # 85047 and marking on product for appropriate certification information.

INSTALLATION

CAUTION: This sensor MUST be installed with an approved barrier and follow the details specified in the Installation Instruction Document # 85045. Refer to Bulletin 4003 for recommended barriers.