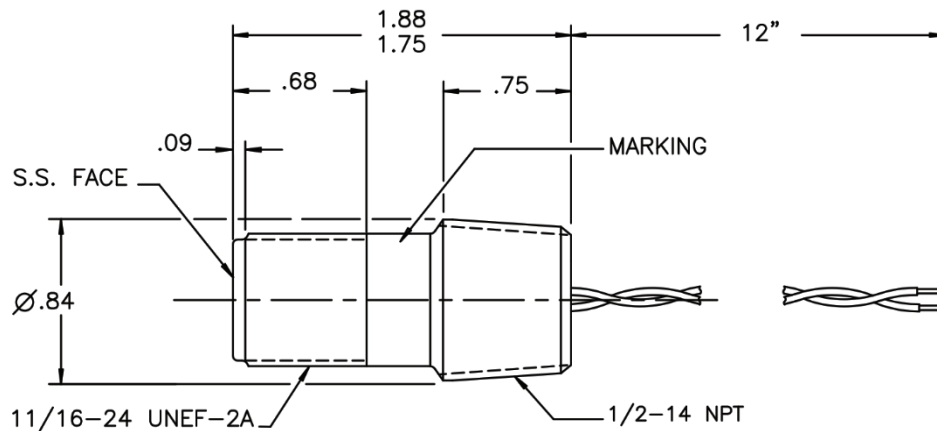


## RF Pick up Coil

## Lead Wire, Conduit Fitting 1/2" MNPT, 11/16-24

FLOWMETRICS P/N	TEMP. PROBE	TEMP. RANGE	PRODUCT CODE	P/N
0066-34111	NO	-250° F to +400° F	RF10-L12", X 11/16-24x1.8", 4HT	0066-34111
0066-35111	NO	-450° F to +450° F	RF10-L12", X 11/16-24x1.8", 5HT	0066-35111
0066-3A111	RTD100	-150 to +450° F	RF10-RTD100-L12", X 11/16-24x1.8", 5TE	0066-3A111



**CONSTRUCTION:** HOUSING: 303 SS  
SOLID EPOXY ENCAPSULATION

**LEAD WIRE:** WHITE, TFE 22 AWG, TWISTED

**TEMP. PROBE:** RTD100,  $100 \pm 0.1 \Omega$

**ACCURACY:**  $\pm 0.3^\circ\text{C}$  or 0.6%

**Temp. Coef.:**  $0.00385 \Omega / \Omega / ^\circ\text{C}$

RTD LEAD WIRE, TFE 20 AWG

COLOR CODE:

RED (x1)

BLACK (x2) (2 WIRES ARE PROVIDED FOR LEAD WIRE RESISTANCE COMPENSATION)

HIGH SIGNAL OUTPUT

HIGH SHOCK AND VIBRATION RESISTANCE

(IMPACT: 25Gs MIN., VIBRATION: 2Gs AT 2000 Hz MIN.)

**CE COMPLIANCE:** EN 55011, EN 50082-2

