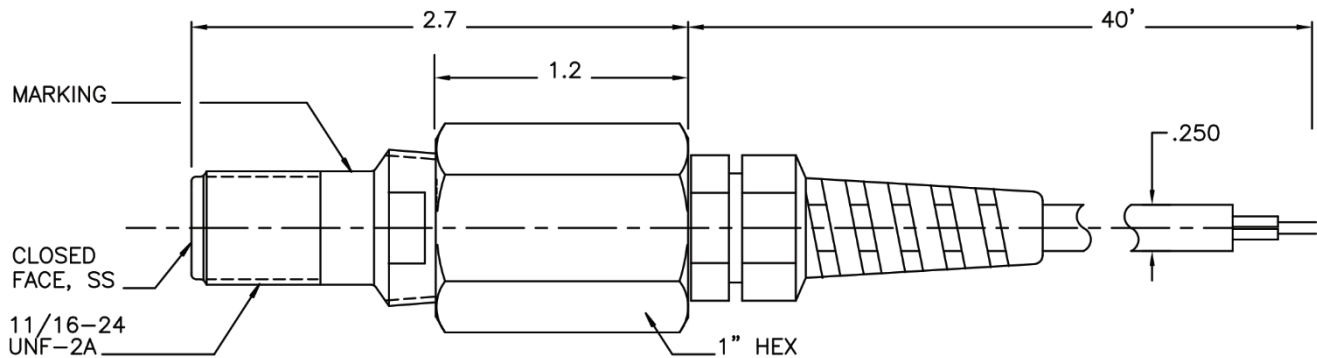


Magnetic Pick up Coil

Water Proof, 11/16 – 24

FLOWMETRICS P/N	GAUSS	TEMP. RANGE	CABLE AWG	0010-35311-2G	P/N
0033-W01	900	NO	18/2	M-LW480, XY 11/16-24x2.7", 1TE, SPCL	0033-W01
0033-W02-4G	350	NO	18/2	M-LW480, XY 11/16-24x2.7", 1TE SPCL	0033-W02-350G
0033-W03-2G	150	NO	18/2	M-LW480, XY 11/16-24x2.7", 1TE, SPCL	0033-W03-150G
0033-W04	900	RTD100	18/4	M-RTD100-LW480, XY 11/16-24x2.7", 1TE, SPCL	0033-W04



SPECIFICATIONS: HOUSING: 303 STAINLESS STEEL, W/ SOLID EPOXY ENCAPSULATION
THERMAL SHOCK RESISTANT

REPLACEABLE CABLE: NEOPRENE SERVICE CORD SVO, BLACK, 18 AWG (-40 to 90°C)
SEALED FOR UNDERWATER SERVICE, TO 100 PSI MIN., NEMA 4 & 6
HIGH SIGNAL OUTPUT
HIGH SHOCK AND VIBRATION RESISTANCE
(IMPACT: 25Gs MIN., VIBRATION: 2Gs AT 2000 Hz MIN.)

CE COMPLIANCE: EN 50081-1, EN 50082-1

OPTIONS: INTERNAL TEMPERATURE PROBE, SELECT:
100 Ohm RTD or 10 kOhm NTC

