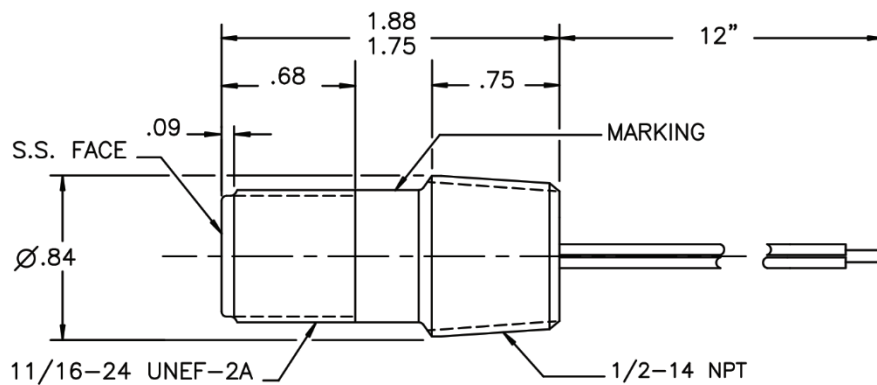


**Magnetic Pick up Coil**

**Conduit Fitting 1/2" MNPT, 11/16-24**

GAUSS	TEMP. PROBE	TEMP. RANGE	PRODUCT CODE	P/N
900	NO	-450 to +450° F	M-L12", X11/16-24x1.8", 5HT	0033-55151
350			M-L12", X11/16-24x1.8", 5HT	0033-55151-350G
150			M-L12", X11/16-24x1.8", 5HT	0033-55151-150G
350	RTD100	-150 to +450° F	M-RTD100-L12", X11/16-24x1.8", 5TE	0033-5A151 -150G
			M-RTD100-L12", X11/16-24x1.8", 5TE	0033-5A151 -150G



**CONSTRUCTION:** HOUSING: 303 SS  
 SOLID EPOXY ENCAPSULATION  
**COIL LEAD WIRE:** TFE WHITE, 22 AWG (x2)

**TEMP. PROBE:** RTD100,  $100 \pm 0.1 \Omega$  RTD LEAD WIRE, TFE 20 AWG  
 ACCURACY:  $\pm 0.3^\circ\text{C}$  or 0.6% COLOR CODE:  
 Temp. Coef.:  $0.00385 \Omega/\Omega/^\circ\text{C}$  RED (x1)  
 BLACK (x2) (2 WIRES ARE PROVIDED FOR  
 LEAD WIRE RESISTANCE COMPENSATION)

**SIGNAL OUTPUT:** SINEWAVE: MIN: 10mVPP MAX: 10VPP  
 HIGH SHOCK AND VIBRATION RESISTANCE  
 (IMPACT: 25Gs MIN., VIBRATION: 2Gs AT 2000 Hz MIN.)

**CE COMPLIANCE:** EN 50081-1, EN 50082-1

