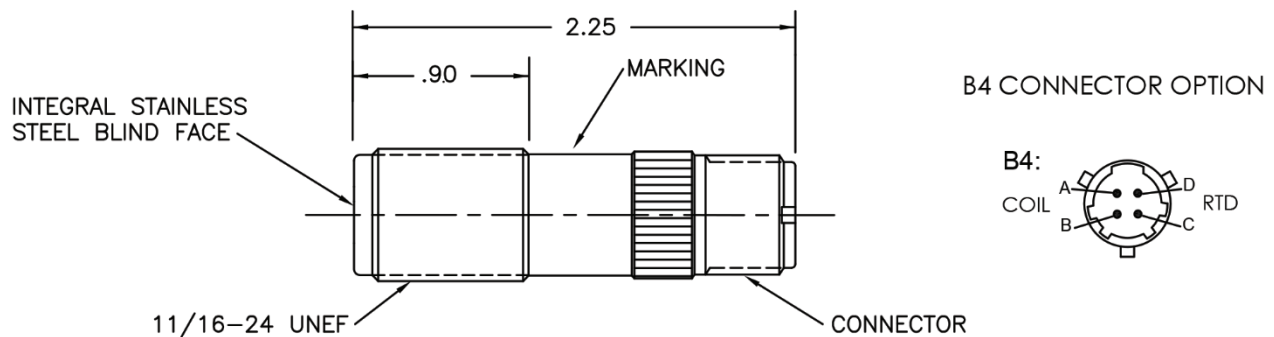


Magnetic Pick up Coil

Connector Type, 11/16 – 24

| GAUSS | TEMP. PROBE | TEMP. RANGE | PRODUCT CODE | P/N |
|-------|-------------|----------------|---------------------------------|-----------------|
| 900 | NO | -450 to 450° F | M-MS, K 11/16-24x2.25", 5HT | 0026-55152 |
| 350 | | | M-MS, K 11/16-24x2.25", 5HT | 0026-55152-350G |
| 150 | | | M-MS, K 11/16-24x2.25", 5HT | 0026-55152-150G |
| 350 | RTD100 | -150 to 450° F | M-RTD-B4, K 11/16-24x2.25", 5TE | 0026-5A452-150G |
| | | | M-RTD-B4, K 11/16-24x2.25", 5TE | 0026-5A452-350G |



SPECIFICATION: HOUSING: 303 STAINLESS STEEL, BLINDSHELL DESIGN, HERMETICALLY SEALED, CRYOGENIC CONSTRUCTION, WITH THERMAL SHOCK RESISTANT SOLID EPOXY ENCAPSULATION

CONNECTOR: MS: MS 3102-10SL-4P, (MATE: MS 3106-10SL-4S)
 GOLD PLATED CONTACTS
 B4: MS 3113-H8A-4P, (MATE: MS 3116-F8-4S)
 GOLD PLATED CONTACTS

TEMP. PROBE: RTD 100Ω; ACCURACY: CLASS A
 ±0.15 + 0.002*T (°C)]

SIGNAL OUTPUT: SINEWAVE: MIN: 10mVPP MAX: 10VPP
 HIGH SHOCK AND VIBRATION RESISTANCE
 (IMPACT: 25Gs MIN., VIBRATION: 2Gs AT 2000 Hz MIN.)

CE COMPLIANCE: EN 50081-1, EN 50082-1

