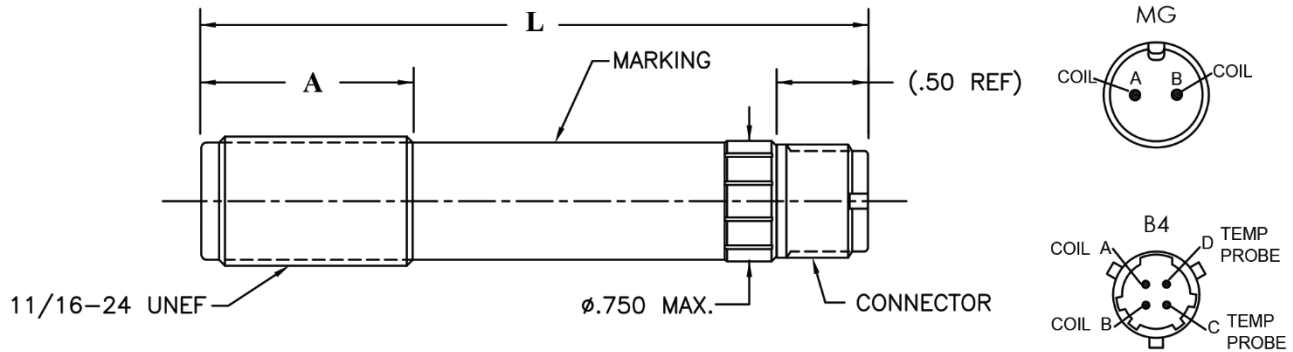


**Magnetic Pick up Coil**

**High Temp, Connector Type, 11/16 – 24**

A	L	CONNECTOR	GAUSS	PRODUCT CODE	P/N
1.3	3.5	MG	900	M-MG K11/16-24x1.3/3.5" 8HT	0024-20
1.1	2.8		350	M-MG K11/16-24x1.1/2.8" 8HT	0024-20-350G
			150	M-MG K11/16-24x1.1/2.8" 8HT	0024-20-150G
1.3	3.5	B4	150	M-RTD-B4 K11/16-24x1.3/3.5" 6HT	0024-31RTD-150G



**CONSTRUCTION:** HOUSING: 303 SS  
 ENCAPSULATION: SOLID CERAMIC  
 CONNECTOR: MG (2 PIN) MS3102-10SL-4P WITH GOLD PLATED CONTACTS  
 B4 (4 PIN) MS3113-H8A-4P WITH GOLD PLATED CONTACTS

**TEMPERATURE RANGE:** 8HT: -450° to 850° F (-270° to 454° C)  
 -330° to 850° F (-200° to 454° C) w/RTD  
 6HT: -450° to 600° F (-270° to 315° C) (B4 CONNECTOR)  
 -330° to 600° F (-200° to 315° C) (B4 CONNECTOR) w/RTD

**TEMP PROBE:** RTD100, 100 ± 0.1 Ohm @ 0°C  
 ACCURACY: ±0.3°C OR 0.6% Temp. Coef.: 0.00385 Ohm/Ohm/°C

**SIGNAL OUTPUT:** SINEWAVE: MIN: 10mVPP MAX: 10VPP  
 HIGH SHOCK AND VIBRATION RESISTANCE  
 (IMACT: 25Gs MIN., VIBRATION: 2Gs AT 2000 Hz MIN.)

**CE** EN 50081-1  
 EN 50082-1