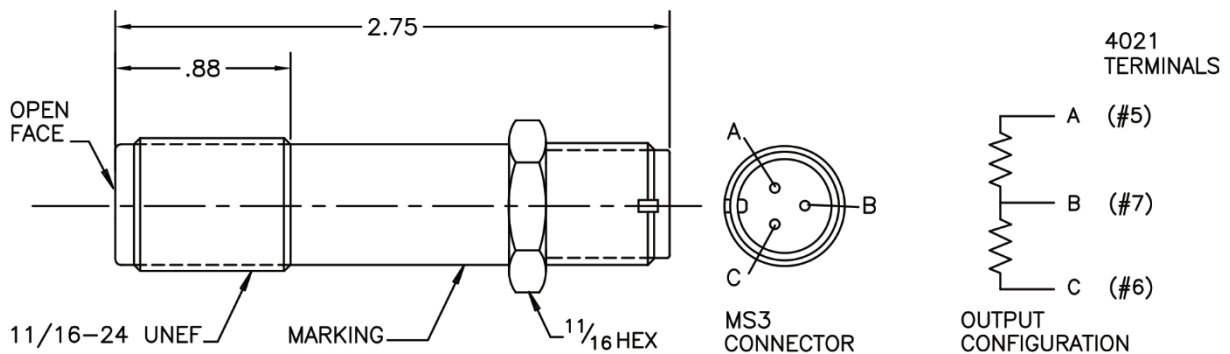


Magnetic Pick up Coil

Noise Cancellation, Connector Type, 11/16-24

FLOWMETRICS P/N	GAUSS	PRODUCT CODE	P/N
0437-01	900	M-NC-MS3, H 11/16-24x2.8", 5HT	0437-01
0437-01-4G	350	M-NC-MS3, H 11/16-24x2.8", 5HT	0437-01-350G
0437-01-2G	150	M-NC-MS3, H 11/16-24x2.8", 5HT	0437-01-150G



THIS SPECIAL PICKUP IS DESIGNED TO WORK IN VERY NOISY ENVIRONMENTS AND MUST BE USED IN CONJUNCTION WITH THE 4021 TYPE II SERIES PREAMP.

CONSTRUCTION: HOUSING: 303 SS
SOLID EPOXY ENCAPSULATION

CONNECTOR: MS-3102-10SL-3P
MS-TYPE, 3 PIN, SEALED
GOLD PLATED CONTACTS

TEMPERATURE RANGE: -450° to 450° F (-270° to 232° C)

CE COMPLIANCE: EN 50081-1, EN 50082-1

