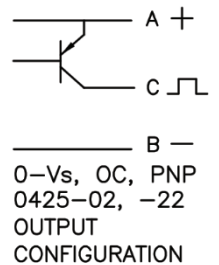
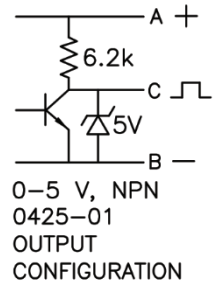
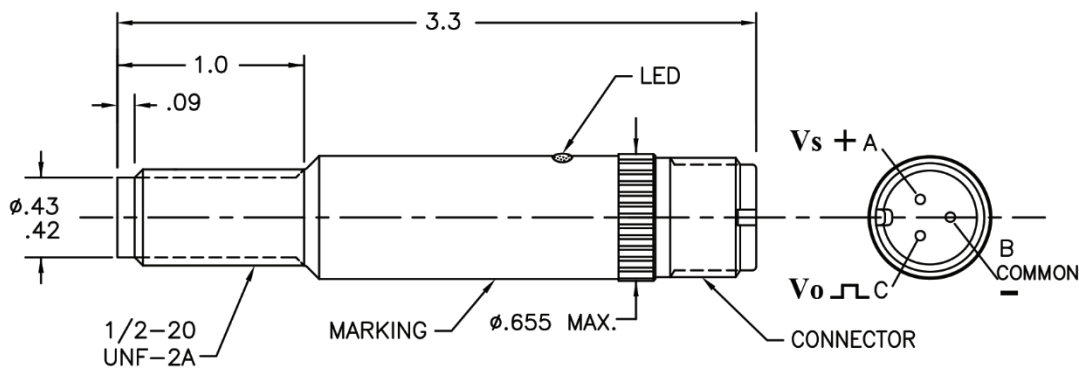


Digispec RF

RF/ HFL With, Pulse Output, Connector Type, 1/2-20

FLOWMETRICS P/N	Vs Supply Voltage	Vo Pulse Out	PRODUCT CODE	P/N
0425-01	7 - 30 VDC @ 18 mA max.	0 -5 V, NPN 25 mA sink	RF-5Vo-LED-MO3 K 1/2-20x1.0/3.3", 2TE	0425-01
0425-02		0 -Vs, OC, PNP 20 mA source	RF-Vs PNP LED-MO3, K 1/2-20x1.0/3.3", 2TE	0425-02
0425-22	7 - 30 VDC @ 20 mA max.	0 -Vs, OC, PNP 20 mA source	HFL-Vs PNP LED-MO3 K 1/2-20x1.0/3.3", 2TE	0425-22



SENSOR TYPE: DIGISPEC RF SENSOR WITH LED INDICATOR
HFL SENSOR WITH LED INDICATOR

CONSTRUCTION: HOUSING: 303 OR 304 SS, INCLUDING FACE
SOLID EPOXY ENCAPSULATION
POLARITY PROTECTED
CONNECTOR: MS3: MS-3102-10SL-3P

TEMPERATURE RANGE: -40° to 257° F (-40° to 125° C)

CE COMPLIANCE: EN 55011, EN 50082-2

