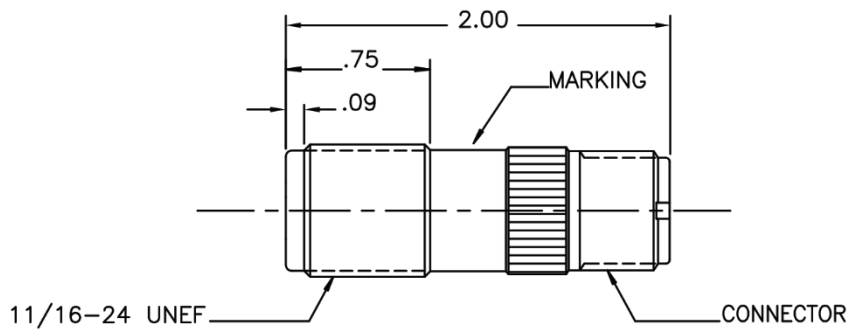


RF Pick up Coil

Connector Type, 11/16 – 24

| FLOWMETRICS P/N | TEMP. PROBE | TEMP. RANGE | PRODUCT CODE | P/N |
|-----------------|-------------|--------------------|--|------------|
| 0059-34111 | NO | -250° F to +400° F | RF10-MS, K11/16-24x0.6/2.0" 4HT | 0059-34111 |
| 0059-35111 | NO | -450° F to +450° F | RF10-MS, K11/16-24x0.6/2.0" 5HT | 0059-35111 |
| 0059-3A411 | RTD100 | -150 to +450° F | RF10-RTD100-B4, K11/16-24x0.6/2.0" 5TE | 0059-3A411 |



CONSTRUCTION: HOUSING: 303 SS
 SOLID EPOXY ENCAPSULATION

CONNECTOR: MS 3102-10SL-4S
 2 PIN SEALED TYPE
 GOLD PLATED CONTACTS
 MATES WITH: MS 3106-10SL-4S

B4: MS 3113-H8C-4P, 4 PIN BAYONET TYPE
 GOLD PLATED CONTACTS
 MATES WITH: MS 3116-H8C-4P

TEMP. PROBE: RTD100, 100 ± 0.1Ω
 ACCURACY: ± 0.3°C or 0.6%
 Temp. Coef.: 0.00385 Ω /Ω/°C

HIGH SIGNAL OUTPUT
 HIGH SHOCK AND VIBRATION RESISTANCE
 (IMPACT: 25Gs MIN., VIBRATION: 2Gs AT 2000 Hz MIN.)

CE COMPLIANCE: EN 55011, EN 50082-2

