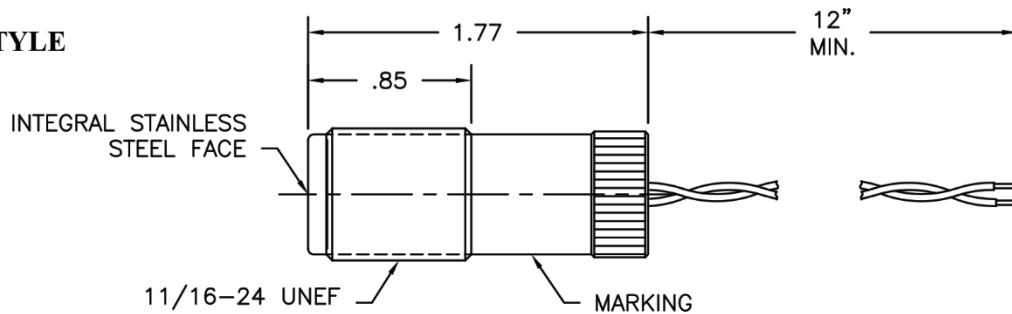


**Magnetic Pick up Coil**

**Lead Wire Type, 11/16 – 24**

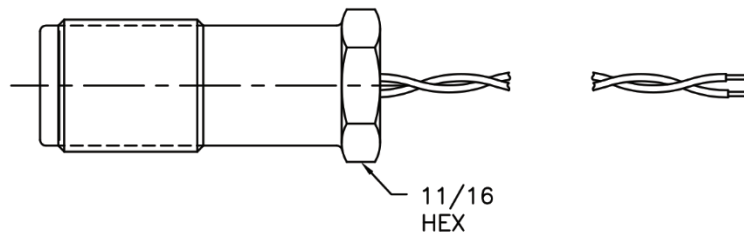
HOUSING STYLE	GAUSS	PRODUCT CODE	P/N
K STYLE	900	M-L12" K11/16-24x0.9/1.8" 5HT	0027-55151
	350	M-L12" K11/16-24x0.9/1.8" 5HT	0027-55151-350G
	150	M-L12" K11/16-24x0.9/1.8" 5HT	0027-55151-150G
H STYLE	900	M-L12" H11/16-24x0.9/1.8" 5HT	0027H-55151
	350	M-L12" H11/16-24x0.9/1.8" 5HT	0027H-55151-350G
	150	M-L12" H11/16-24x0.9/1.8" 5HT	0027H-55151-150G

**K STYLE**



**H STYLE**

(SAME AS ABOVE EXCEPT AS NOTED)



**SPECIFICATION:** HOUSING: 303 STAINLESS STEEL, BLINDSHELL DESIGN, CRYOGENIC CONSTRUCTION WITH THERMAL SHOCK RESISTANT SOLID EPOXY ENCAPSULATION

**LEAD WIRES:** WHITE, TFE 22 AWG, TWISTED

**TEMP. RANGE:** -450 to 450° F (-270 to 232° C)

**SIGNAL OUTPUT:** SINEWAVE: MIN: 10mVPP MAX: 10VPP  
 HIGH SHOCK AND VIBRATION RESISTANCE  
 (IMPACT: 25Gs MIN., VIBRATION: 2Gs AT 2000 Hz MIN.)



**CE COMPLIANCE:** EN 50081-1, EN 50082-1