

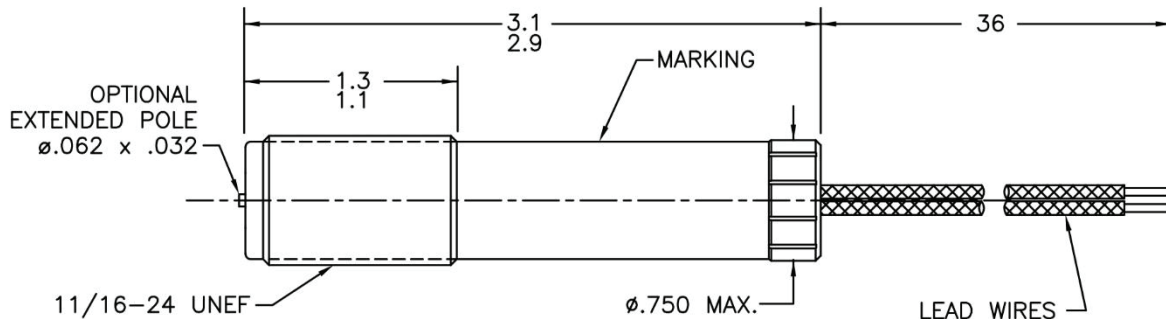
## Magnetic Pick up Coil

## High Temp, Lead Wire Type, 11/16 – 24

FACE	TYPE	PRODUCT CODE	SPEC
FLUSH	COIL ONLY	M-L36" K11/16-24x1.3/3.0" 8HT	0025-20
	W/ RTD	M-RTD-L36" K11/16-24x1.3/3.0" 8HT	0025-20RTD
W/ EXTENDED POLE	COIL ONLY	M-L36" K11/16-24x1.3/3.0" 8HT (EP62)	0025-22
	W/ RTD	M-RTD-L36" K11/16-24x1.3/3.0" 8HT (EP62)	0025-22RTD

NOTE : TO DESIGNATE GAUSS LEVEL (MAGNETIC LEVEL) OF ANY OF THE PRODUCTS ABOVE, ADD THE LEVEL TO THE P/N.

900 GAUSS VERSION P/N 0025-xx-900G  
350 GAUSS VERSION P/N 0025-xx-350G  
150 GAUSS VERSION P/N 0025-xx-150G



**CONSTRUCTION:** HOUSING: 303 SS  
ENCAPSULATION: SOLID CERAMIC  
LEAD WIRES: MICA-GLASS INSULATED, 22 AWG  
RTD VERSION: TWO BUNDLES OF 2 LEADS EACH

**TEMPERATURE RANGE:** -450° to 850° F (-270° to 454° C)  
-330° to 850° F (-200° to 454° C) w/RTD

**TEMP PROBE:** RTD100, 100 ± 0.1 Ohm @ 0°C  
ACCURACY: ±0.3°C OR 0.6% Temp. Coef.: 0.00385 Ohm/Ohm/°C

**SIGNAL OUTPUT:** SINEWAVE: MIN: 10mVPP MAX: 10VPP

HIGH SHOCK AND VIBRATION RESISTANCE

(IMACT: 25Gs MIN., VIBRATION: 2Gs AT 2000 Hz MIN.)

CE EN 50081-1  
EN 50082-1