

# 916-BATDT-M

## LCD Dual Totalizer (Resettable & Non-Resettable)

### Features

- UL/C-UL Intrinsically Safe Listed
- Magnetic Pickup Input, Contact Closure Input, DC Pulse Input (Optically Isolated)
- Displays 5 Digit Resettable Total  
8 Digit Grand Total
- 4-20mA Analog Output (optional)
- Powered From Internal Battery, External DC Supply or 4-20 mA Output Loop
- 20 Point Linearization (optional);  
10 Point Linearization with Data Logger option
- Isolated Pulse Output
- Nonvolatile Flash Memory of Setup Data
- RS485 Modbus Communications and Data Logger (optional)
- Setup Software Available for Easy Programming and Monitoring Using a PC and Special Serial Cable

### Description

Featuring 5 digits of resettable total and 8 digits of grand total, the 916-BATDT-M is a battery powered indicator capable of accepting magnetic pickup, DC pulse and switch closure inputs from pulse producing flowmeters. A scaled pulse output is standard. A 4-20mA loop and/or linearization is optional.

### Specifications

#### DISPLAY:

Resettable Total Display

5 Digits (99999), 0.35" High, Display updates once every second (8 times per second if loop powered)

Grand Totalizer Display: (selectable decimal)

8 Digits (99999999), 0.2" High

Totalizer Descriptors: GAL, LIT, FT3, M3, "blank"

Warning Displays: Low battery warning

#### PULSE OUTPUT:

The pulse output advances with the least significant digit of the totalizer or decimal multiples there of (see Pulse scale divider).

Type: Isolated photomos relay

Max. voltage (off state): 30 VDC

Current (on state): 100mA

Pulse Duration: Selectable 0.5, 0.25, 0.125, 0.0625 seconds

Pulse Scale divider (Pulscale): User selectable, +1, +10, +100 or OFF

NOTE: Select OFF for max. battery life.



Mounting Style 1



Mounting Style 3



Mounting Style 3SS



Mounting Style 5



Mounting Style 6

### POWER:

**BATTERY POWERED**

Supplied with 2 C size Lithium battery pack.

**EXTERNAL POWER INPUT**

Voltage: 8.5 to 30 VDC

Current: Less than 5 mA

Supplied with 1 C size lithium battery for standby operation

Protection: Reverse Polarity Protection on DC Power Input

**LOOP POWERED**

Voltage: 8.5 to 30 VDC

Supplied with 1 or 2 C size lithium battery(ies) for standby operation

Protection: Reverse Polarity Protection on Current Loop

Loop Burden: 8.5V maximum

**BATTERY LIFE EXPECTANCY:**

Expected Years of Operation for BATDT-M of various powering options at equipment duty cycles

MODEL	Idle	RUN TIME		
		2hrs/day	8hrs/day	24hrs/day
BATDT-M-A	10 yrs	10 yrs	10 yrs	9.1 yrs
BATDT-M-A-4	10 yrs	10 yrs	10 yrs	8.4 yrs
BATDT-M-B/C	10 yrs	10 yrs	10 yrs	10 yrs

standby-operation  
 BATDT-M -B/C Indefinite operation when externally powered  
 External or loop power

**NOTE:** Battery shelf life is rated at 10 years by manufacturer Life expectancy based on rated battery capacity at 20°C The above table is shown with pulse output inactive. Use of pulse output shortens battery life. **Example:** A pulse output of 0.06 sec. duration, once per second, would derate the battery life by 20%.

**ACCURACY:**  
±1 count

**SAFETY LISTINGS (Mounting Styles 3, 3SS):**

- CSA File 091109 (cert. 1120094)
- UL/C-UL File E225832
- CLASS 1, DIV 1, GROUPS B, C, D
- Additional "enclosure only" approvals available for ATEX and IEC

**ENVIRONMENTAL:**

- OPERATING TEMPERATURE
  - 4°F (-20°C) to +158°F (70°C)
  - Extended Temp: -22°F (-30°C) to +158°F (70°C)
- HUMIDITY
  - 0 - 90% Noncondensing

**MOUNTING STYLES:**

- 1- Panel Mount - NEMA 4X Front
- 3- Explosion Proof - Class I, Division I, Groups B, C & D Class II, Division I, Groups E, F & G
- 3SS- Explosion Proof - Stainless Steel Class I, Division I, Groups B, C & D Class II, Division I, Groups E, F & G
- 5- Wall Mount - NEMA 4X Enclosure (keypad mounted on cover)
- 6- Double Ended Explosion Proof - Class I, Division I, Groups B, C & D Class II, Division I, Groups E, F & G (contact factory for details)

**INPUTS:**

- MAGNETIC PICKUP INPUT
  - Frequency Range: 0 to 3500 Hz
  - Trigger Sensitivity: 10 mV p-p
  - Over Voltage Protected: ± 30 VDC
- OPTO-ISOLATED DC PULSE INPUT
  - High (logic 1): 4-30 VDC
  - Low (logic 0): Less Than 1 VDC
  - Minimum Current: .5 mA
  - Hysteresis: 0.4 VDC
  - Frequency Range: 0 to 5 kHz
  - Min. Pulse Width: 0.1 msec
- CONTACT CLOSURE INPUT (contact closure to common)
  - Internal Pullup Resistor: 100 KΩ to +3.6 VDC
  - High (logic 1): Open or 4-30 VDC
  - Low (logic 0): Less Than .5 VDC
  - Internal Switch Debounce Filter: 0 to 40 Hz
- NOTE:** Sustained contact closure will shorten battery life.
- RESET INPUT (contact closure to common)
  - Internal Pullup Resistor: 100 KΩ to +3.6 VDC
  - High (logic 1): Open or 4-30 VDC
  - Low (logic 0): Less Than .5 VDC
  - Minimum On : 25 msec
- NOTE:** Sustained contact closure will shorten battery life.

**K-FACTOR**

- Range: 0.001 to 99999999
- Decimal Point Locations: XXXX.XXXX to XXXXXXXX

20 Point Linearization Option (10 Point with Data Logger option)  
This feature allows the user to enter 20 different frequencies with 20 different corresponding K-Factors to linearize non linear signals.

**ANALOG OUTPUT OPTION:**

- Type: 4-20 mA follows rate computation, Two wire hookup
- Accuracy: 0.025% Full Scale at 20° C
- Temperature Drift: 50 ppm/°C Typical
- Reverse Polarity Protected
- Update Rate: 8 times/second

**NOTE:** The BATDT-M uses the 4-20 mA loop power as its primary power source when this option is used. The battery is still required for standby battery operation. Selectable analog output damping.

**COMMUNICATIONS OPTION (S1):**

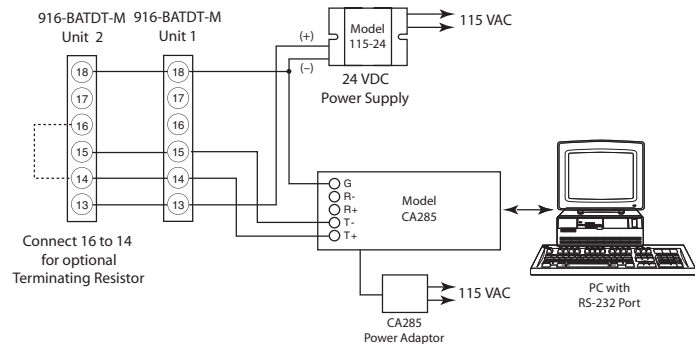
**RS232 SERIAL SETUP SOFTWARE OPTION:**  
This option enables you to access a variety of process parameters through serial communications. PC compatible communications software is included with this option. With this software and a BATDTM Serial Adapter Cable (BSAC1) you will be able to setup the BATDTM through your PC.

**DATA STORAGE:**

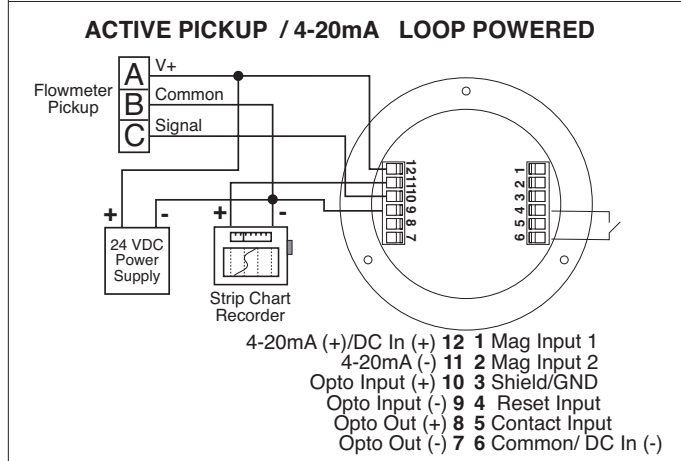
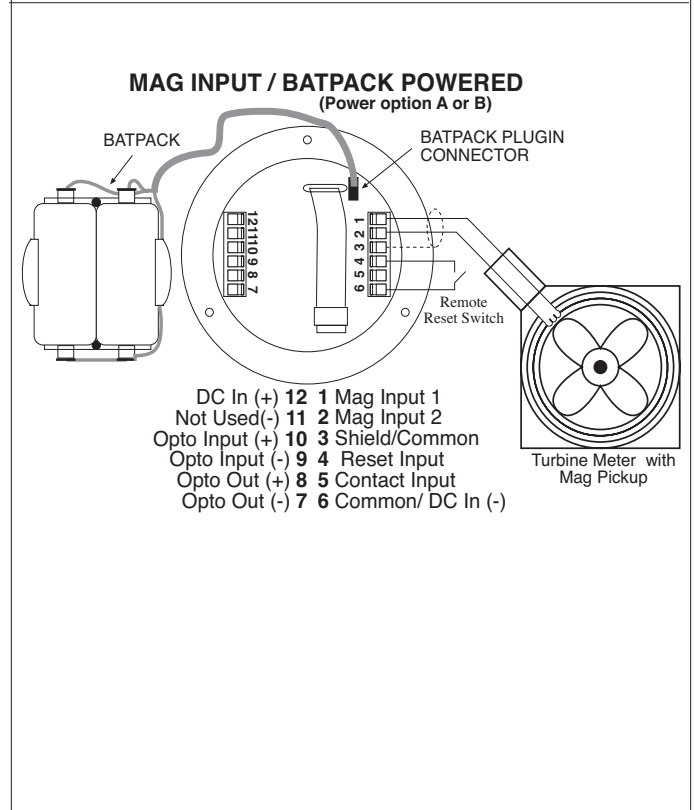
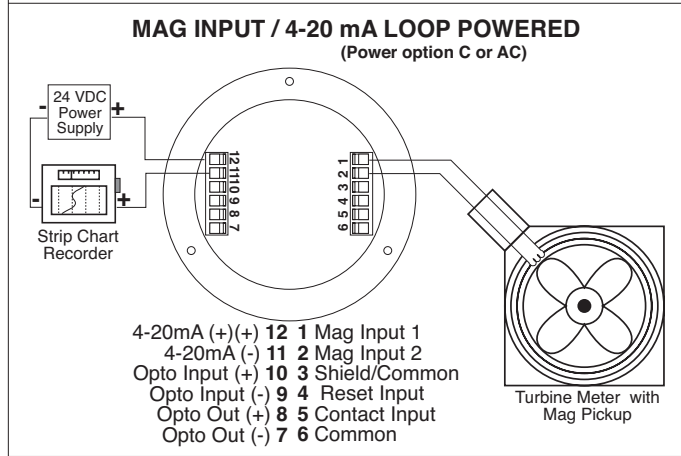
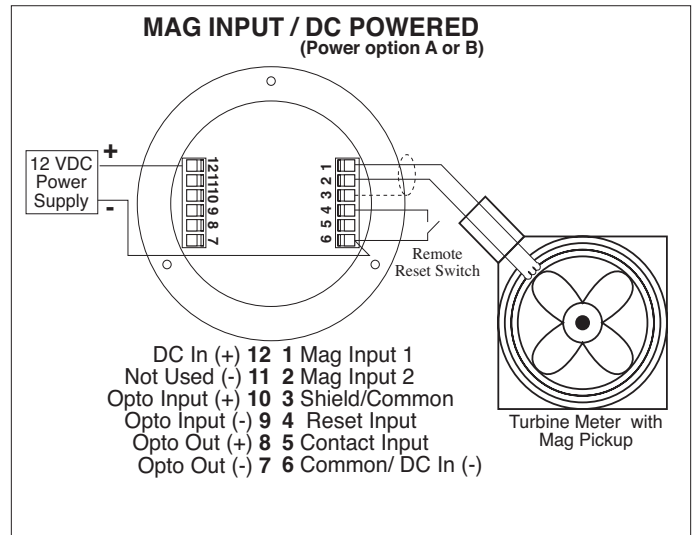
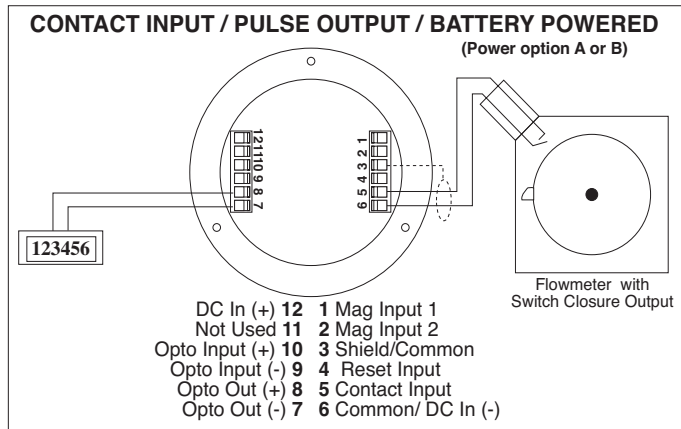
- Setup Information: Stored in flash memory
- Totalizer: Stored in battery backed RAM but can be saved to flash memory by operator for recall after battery change out.

**RS-485 MODBUS and DATA LOGGER OPTION (S2):**

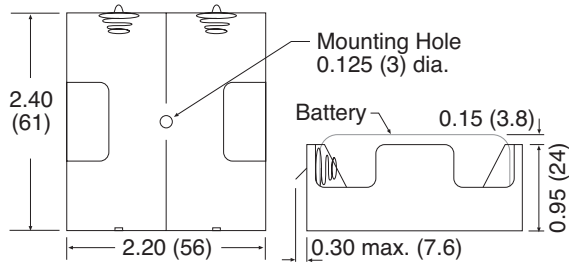
The optional RS-485 card utilizes Modbus RTU protocol to access a variety of process parameters. The Data Logger stores the totalizer to flash memory once every 24 hours at the time you set. The data logger can hold 24 days of totals, on the 25th day the oldest total in the logger is dropped. Requires external DC power: 6-28VDC (input is reverse polarity protected)  
 Current Draw:  
 Receiving: 2 mA  
 Transmitting: 125 mA (instantaneous peak)



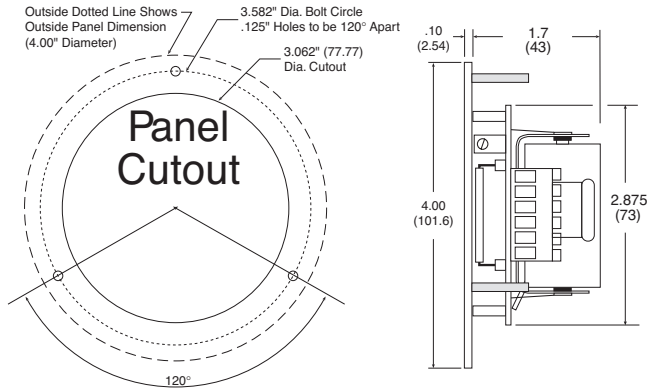
**Typical Wiring:**



## BATPACK

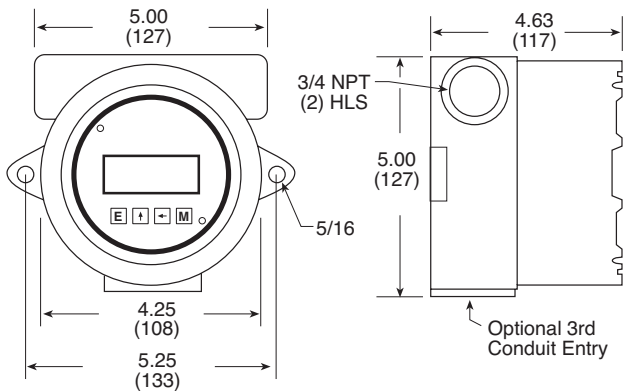


## 916-BATDT-M-1

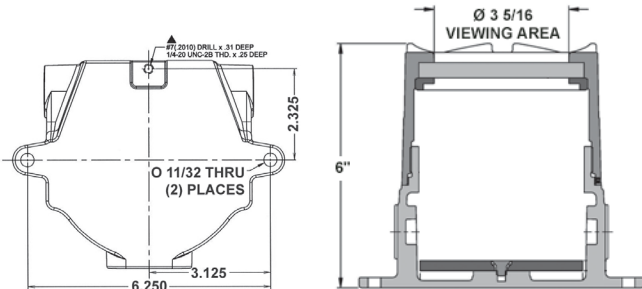


## 916-BATDT-M-3

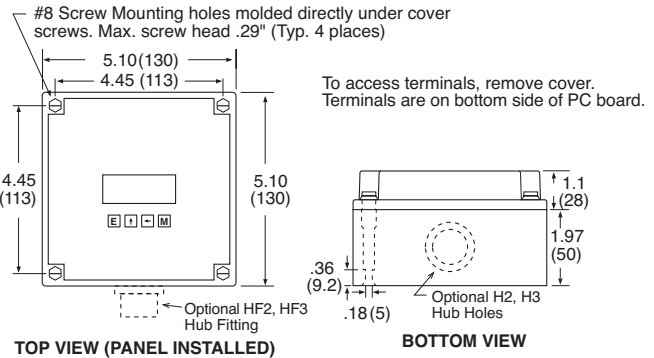
To access terminals, unscrew cover and loosen 2 panel screws. Terminals are on bottom side of PC board.



## 916-BATDT-M-3SS

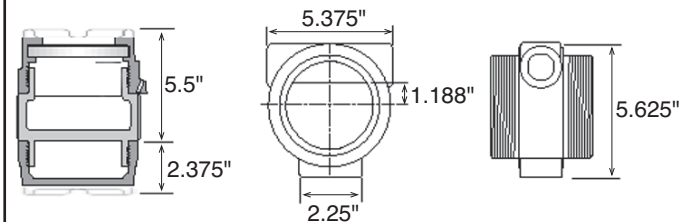


## 916-BATDT-M-5



NOTE: Additional entry holes may be provided on style 5.

## 916-BATDT-M-6



## Ordering Information

EXAMPLE: 916-BATDT-M 3 A 4 ET  
Series: \_\_\_\_\_

### Mounting:

- \* 1 = Panel Mount
- 3 = Explosion Proof Housing
- 3SS = Stainless Steel Ex-Proof Housing
- 5 = NEMA 4X Box (916-BATDT-M outside opaque cover)
- 6 = Double Ended Explosion Proof Housing (consult factory)

### Power Supply:

- \* A = Battery (2 supplied)
- B = External Power Supply (8.5 to 30 VDC)
- C = Loop Powered with 4-20 mA Output
- AC = Loop Powered with 4-20 mA Output and 2 Batteries

### Options (Multiple Options Available)

- S1 = Serial Setup Software for use with BSAC1
- S2 = RS485/Modbus/Data Logger - Isolated (power options B, C only)
- 4 = 20 Point Linearization (10 point with S2 option)
- D = Rate per Day, Hour or Minute
- ET = Extended Temp.: -22°F to 158°F (-30°C to 70°C)
- CE\*\* = CE Compliant
- CSA\*\* = CSA Listed Explosion Proof
- IS\*\* = UL Listed IS (planned)
- ATEXCASE\*\* = European Flame Proof ATEX Case
- TRX = NEMA7 Explosion Proof Reset Switch (mounting style 3 and 6)
- RN = External Magnetic Reset
- T = Third Conduit Entry in Ex-Proof Housing (mounting style 3 and 6)
- H2 = 0.875" Hole for mounting style 5
- HF2 = 0.5" Female NPT Hub fitting for mounting style 5
- H3 = 1.125" Hole for mounting style 5
- HF3 = 0.75" Female NPT Hub fitting for mounting style 5

### Accessories:

- BATPACK = External Batt. Pack with 2 C Size Batteries & 12" leads
- BATC = Single Battery: Tadiran P/N TL2200/S 3.6V 7200mAh or equal
- 115-24 = 115 VAC to 24 VDC power supply
- BSAC1 = RS232 Serial Adapter Cable with setup software

\* External battery pack supplied with model 916-BATRT-M1A

\*\* Contact factory for latest information